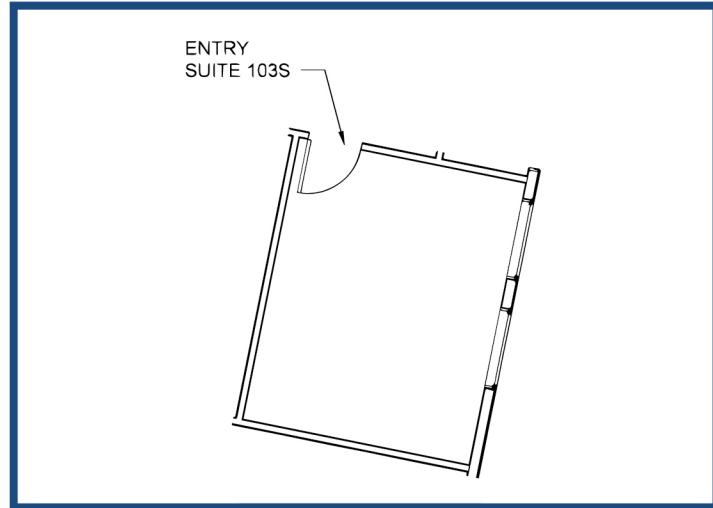


Space for Lease Information:

2200 Veterans Blvd.
Kenner, LA 70062

Suite: 103 S

RSF: 200



Contact

1st Lake Commercial Properties, Inc.
3925 N. I-10 Service Rd. Suite 130
Metairie, LA 70002
855.234.1278 Fax: 504.885.4941
Licensed in the State of Louisiana

The foregoing is solely for information purposes and is subject to change without notice. Subject to errors, omissions, changes in terms and conditions prior to lease or withdrawal without notice.